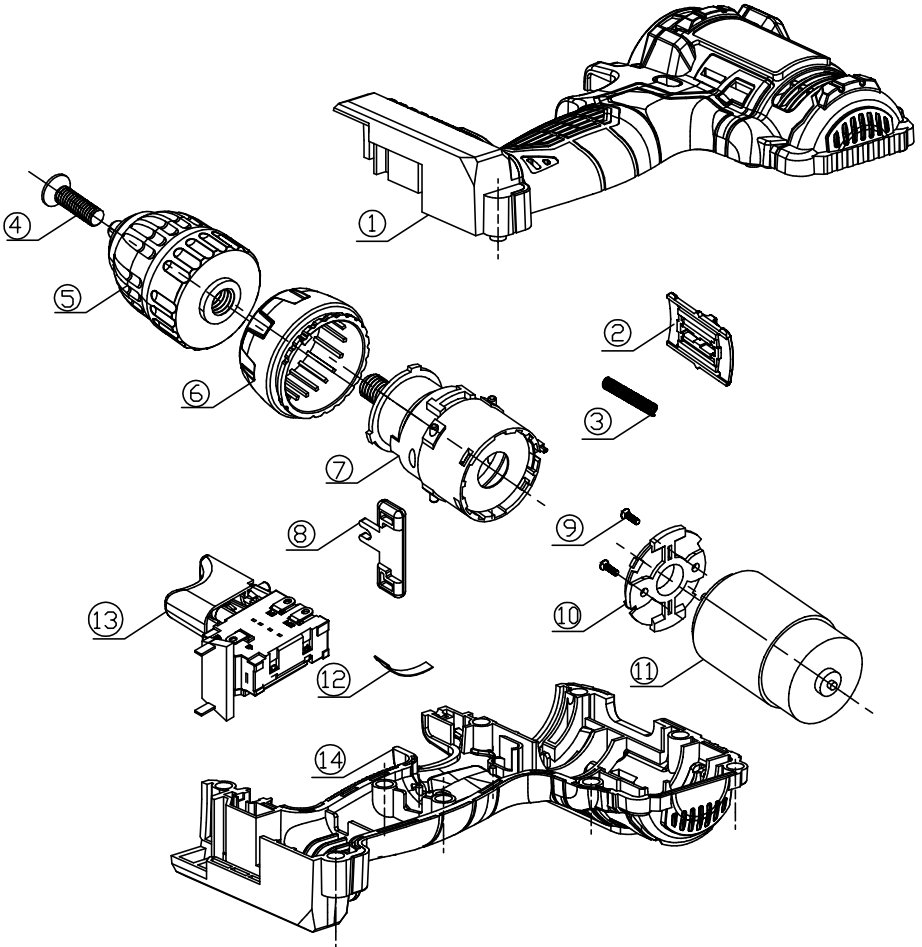


## EXPLODED VIEW RD-CDL38



## SPARE PARTS LIST RD-CDL38

Item	Description	QTY
1	housing support	1
2	H/L speed button	1
3	spring	1
4	chuck screw	1
5	chuck	1
6	torque regulation ring	1
7	gear box assembly	1
8	F/R button	1
9	motor screw	1
10	motor bracket	1
11	motor	1
12	T spring plate	1
13	switch	1
14	housing cover	1